

- **NR3633DSV** 35-3/4"L x 33"D x 32-7/8"H
- **NR4833DSV** 47-3/4"L x 33"D x 32-7/8"H

Included

- NOTE: Glass warranty only applicable to first point of delivery
- LED top light
- One piece formed ABS plastic tub
- One year parts & labor warranty
- Vertical, fixed front & side UV bonded frameless glass



NR4833DSV

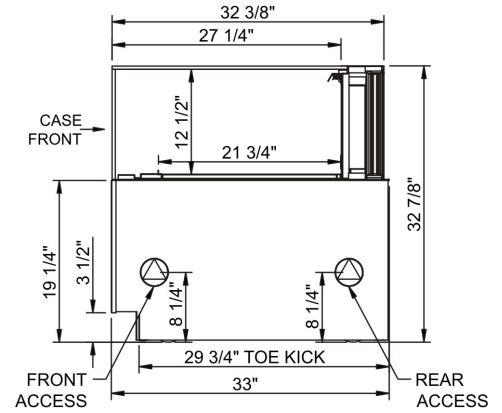
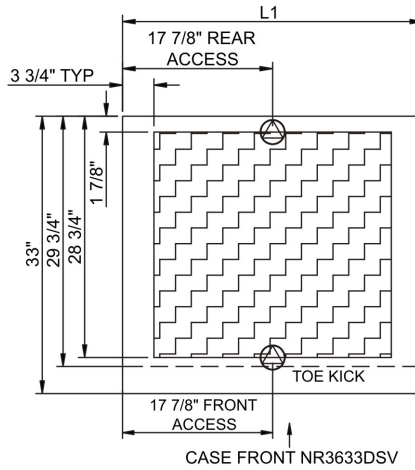
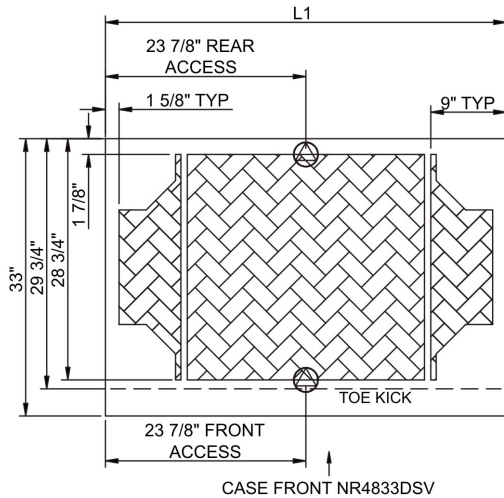
Specify	Standard Features	Additional Options
FRAME EXTERIOR COLOR	• Black	• Painted (non-stock colors, specify RAL#) • Painted (stock colors, specify RAL#) • Stainless steel
INTERIOR COLOR	• Black	• NOTE: Interior color must be FDA & NSF approved • Painted (stock colors, specify RAL#) • Stainless steel
PANEL EXTERIOR	• Laminated (non-premium) Confirm pattern/grain direction	• Laminated (premium) Confirm pattern/grain direction • Stainless steel
BASE SUPPORT	• Adjustable, locking casters	• 6"H stainless steel legs
END PANEL LEFT	• Full end panel	• No end panel
END PANEL RIGHT	• Full end panel	• No end panel
LOWER FRONT PANEL	• Black	• Painted (stock colors, specify RAL#) • Stainless steel
LOWER REAR PANEL	• Black	• Painted (stock colors, specify RAL#) • Stainless steel
UPPER REAR	• Clear glass rear sliding doors	• Reflective glass rear sliding doors
LIGHTS	• LED 3500K w/ frosted lens	• LED 3000K w/ frosted lens • LED 4000K w/ frosted lens
ELECTRICAL CONNECT	• 6' Straight blade power cord	• 6' Locking blade power cord • Electrical leads (non-refrigerated)
MISCELLANEOUS		¹ • 14.5" Base height extension • Rear door lock • Second year parts & labor warranty

Option Notes: 1 - Cannot be combined w/ 6"H legs

Intended Environment: Type I - Designed to operate in ambient conditions of 75°F with 55% relative humidity unless noted otherwise in system information below.		
Zone	Intended Product To Be Displayed	Warmest Avg Prod Temp ° F
1	Unpackaged non-refrigerated products	Ambient

PLAN VIEW

SIDE VIEW



NOTE: ALL DIMENSIONS APPROXIMATE

- ELECTRICAL JUNCTION BOX (SUPPLIED WITH 6\"/>
- LOCATION OF DRAIN TUBE FOR REMOTE REF. ONLY (SUPPLIED WITH 3/4\"/>

- REFRIGERATION LINE CONNECTION.
- REMOTE FLOOR SINK & UTILITIES ACCESS AREA.

- SELF-CONTAINED CASE SERVICE ACCESS AREA.
- DRY CASE SERVICE ACCESS AREA.

Model Technical Specifications																	
Model	L"	L1"	L2"	System Circuit Volts			Phs	Freq	Amps ***	Watts	Wires	NEMA Plug	SST	Conv. Rack BTUH	Para. Rack BTUH	Est Wt	
NR3633DSV	N/A	35.75	.00	Ambient/Lights (N/A)			Circuit #1	110-120	1	60	0.70	4	2+G	5-15P or L5-15P	N/A	N/A	600
NR4833DSV	N/A	47.75	.00	Ambient/Lights (N/A)			Circuit #1	110-120	1	60	0.70	6	2+G	5-15P or L5-15P	N/A	N/A	700

*** Does not include electric defrost on freezer models.

Regulatory Approvals:	
All Models	ETL Listed to UL 65 ETL Sanitation to NSF/ANSI 2



Important Notes:

- 1) ELECTRICAL NOTE: If GFCI is required, a GFCI breaker MUST be used in lieu of a GFCI receptacle
- 2) Glass warranty only applicable to first point of delivery.

⚠ WARNING: This product can expose you to chemicals, including Urethane (Ethyl Carbamate), which are known to the State of California to cause cancer and birth defects or other reproductive harm. For more information go to www.P65Warnings.ca.gov.

Note: Information is subject to change at any time. Visit www.structuralconcepts.com for the most current specs.

21869512 Revised 1-13-2022